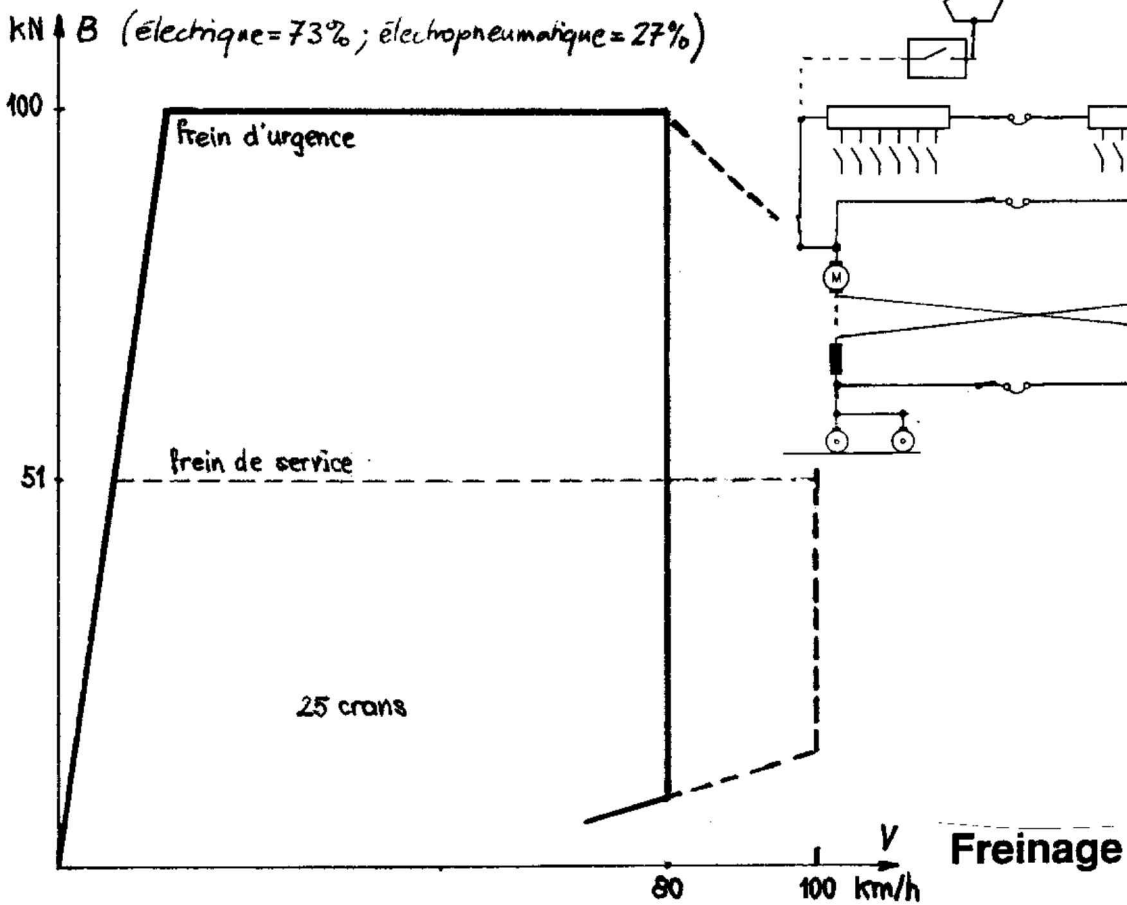
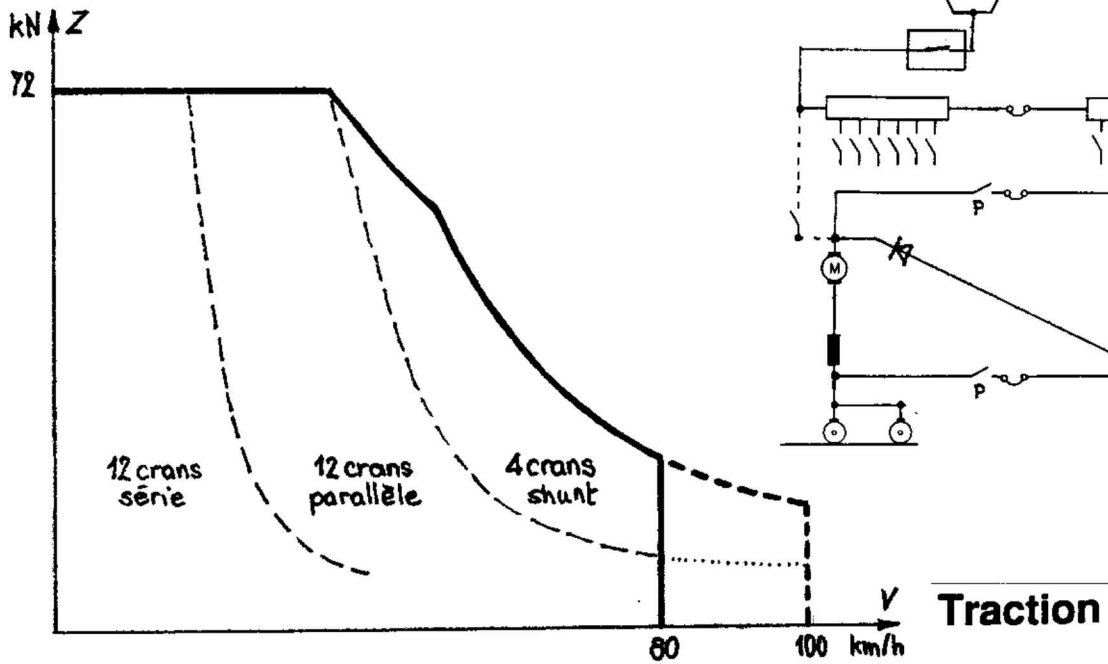
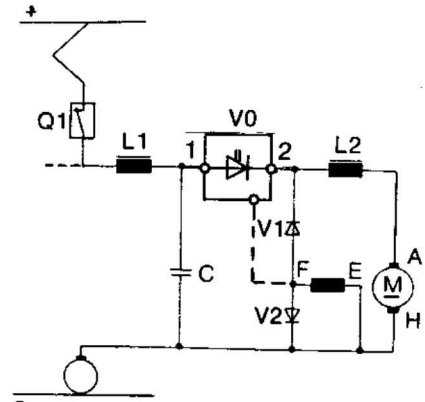
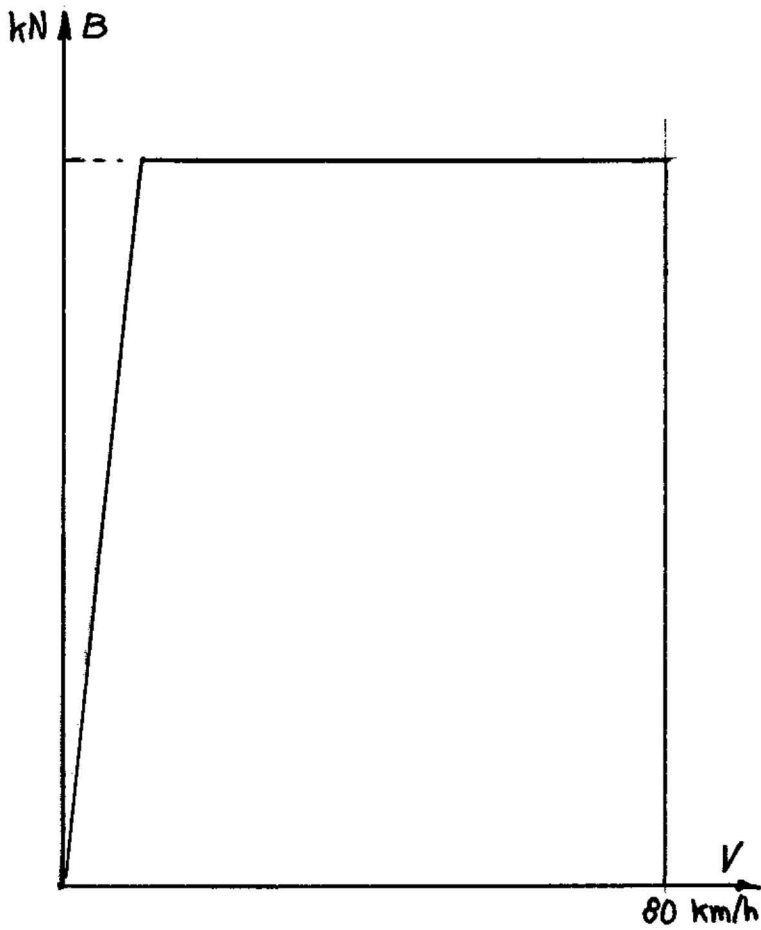
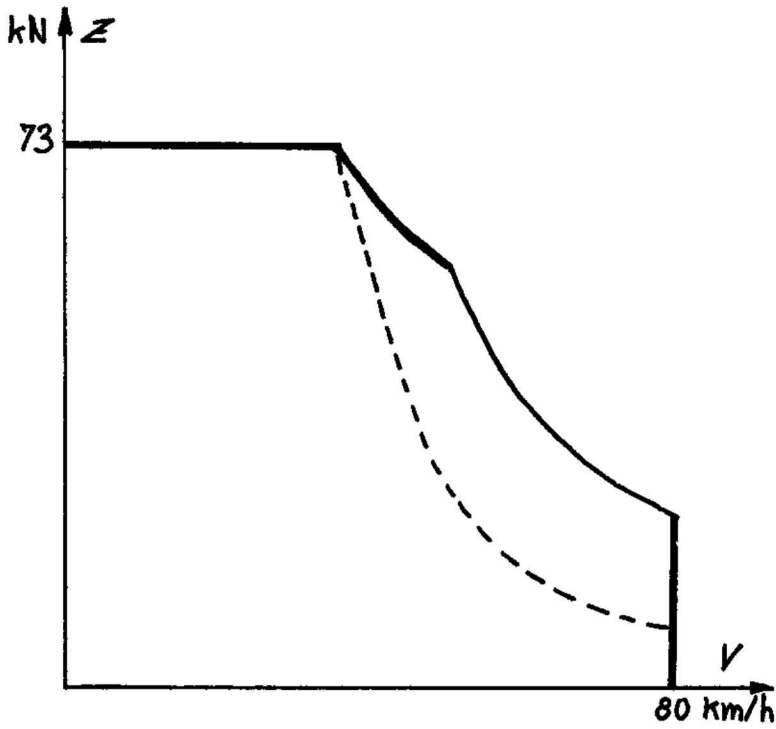


TECHNIQUES FERROVIAIRES  
Document accompagnant la question .59. (page 1)

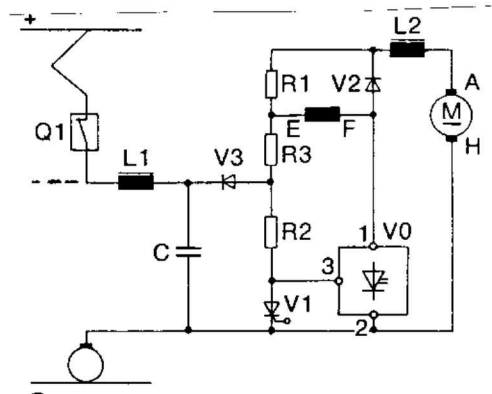
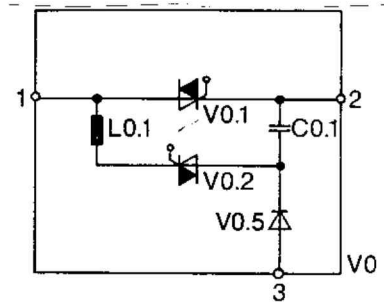
B 80 (B100) 1973 - 1985 Köln, Bonn, Essen...  
P = 440 kW



B 80C Essen... 1981-87  
P = 440 kW

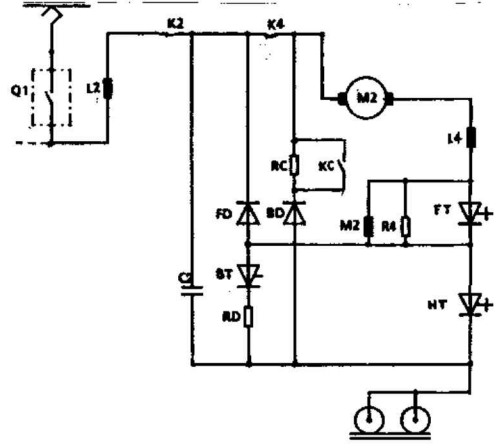
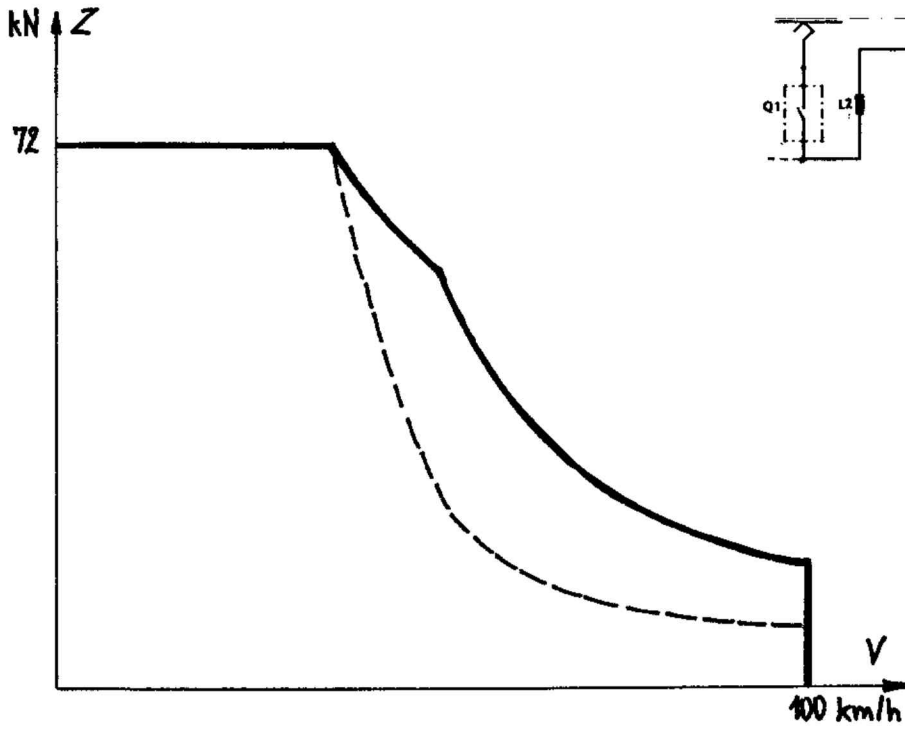


**Traction**

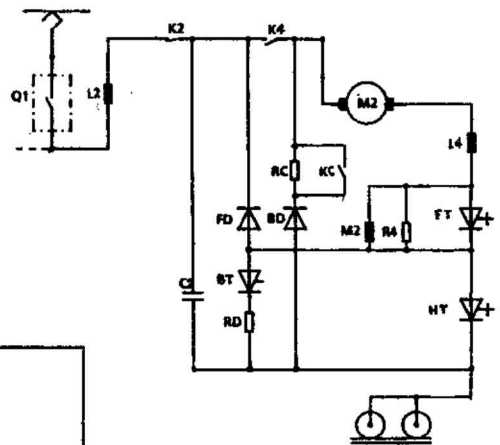
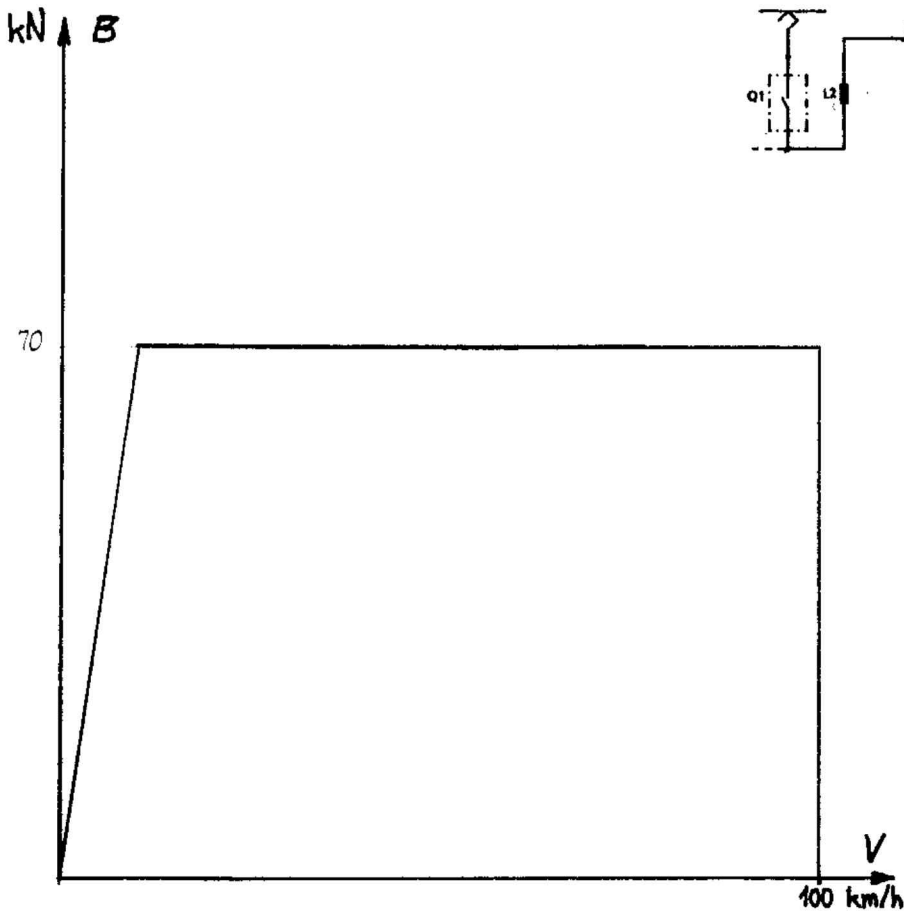


**Freinage**

B100C Bonn 1992-1993  
P = 440 kW



Traction



Freinage

